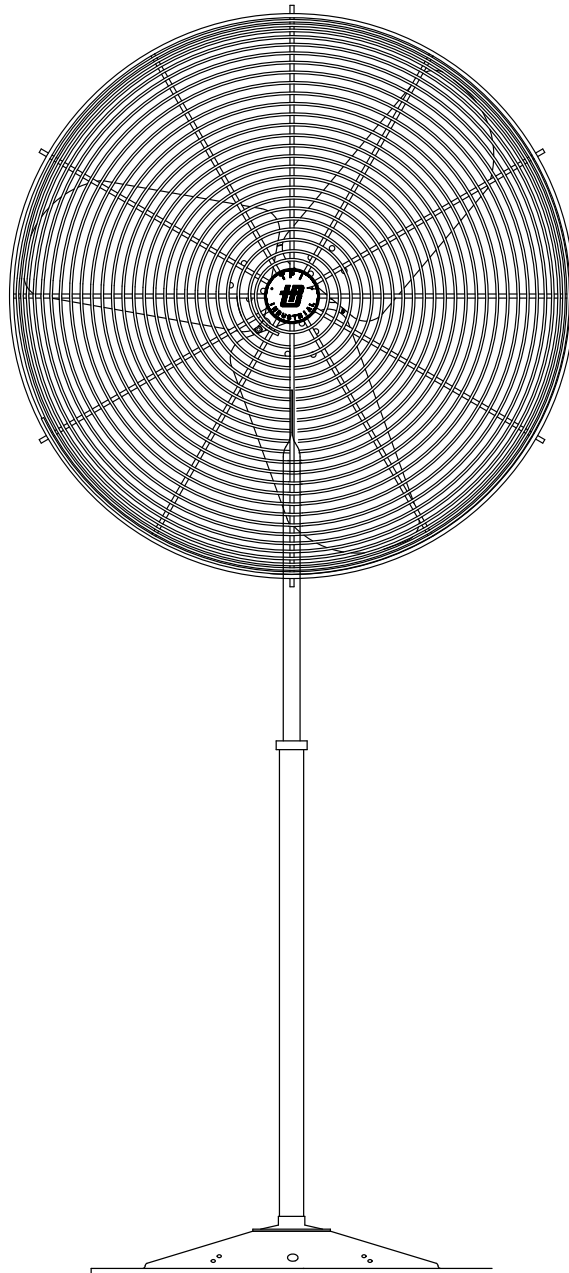


CAC

## Table of Contents

CAC-ACH.....	4
CAC-ACHO.....	5
CAC-IHPWD.....	6
CAC MOUNTS.....	7
CAC-PBD.....	8
CAC-PBB.....	9
CAC-MBDY.....	10
CAC-SBD.....	11
CAC-UTE.....	12



Loren Cook Company Air Circulators are designed for industrial and commercial applications requiring air circulators. All units are ETL listed in the US and Canada.



## Air Circulators

### Features

- ETL C/US Listed
- Meets Federal OSHA Requirements
- Optional Washdown Unit or Optional Oscillating Unit
- Steel Hub with Aluminum Blades



## Portable Blowers

### Features

- ETL C/US Listed
- Meets federal OSHA requirements
- Corrosion and dent proof high density polyethylene housing
- Aluminum Blades



## Mini-Blower

### Features

- ETL C/US Listed
- Meets federal OSHA requirements
- Corrosion and dent proof high density polyethylene housing
- Aluminum Blades



## Suspension Blower

### Features

- ETL C/US Listed
- Meets federal OSHA requirements
- Corrosion and dent proof high density polyethylene housing
- Aluminum Blades



## Mounted Workstation

### Features

- ETL C/US Listed
- Meets federal OSHA requirements
- Corrosion and dent proof high density polyethylene housing
- Head rotates 360° vertical and horizontal

## Air Circulator Mounting Examples



Base Mount



Mini-Blower  
Wall Mount



Wall Mount



## Air Circulators\*

### Features

- Fully assembled non-oscillating circulating fan heads
- Grill: Double locking, chrome plated steel wire guards
- Blade: Steel hub/spider and aluminum paddles
- Cord: SJT Type, 3-conductor 12' long
- Meets federal OSHA requirements
- ETL C/US Listed

### Motor Specifications

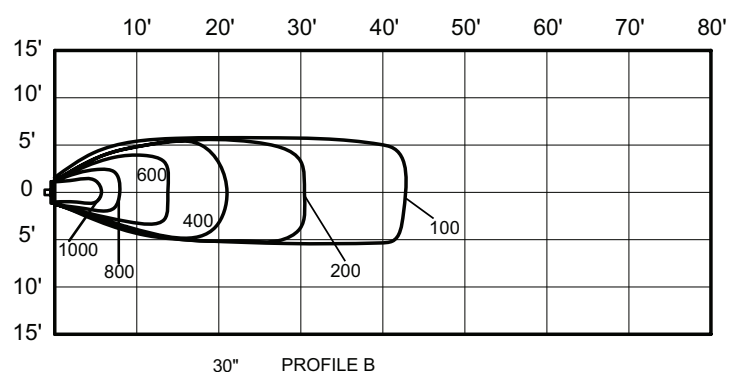
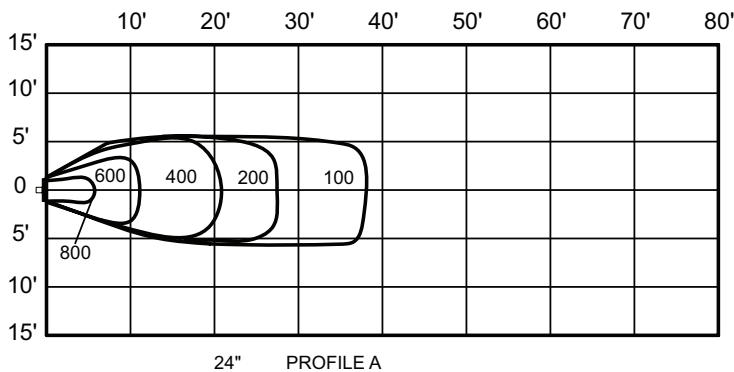
- PSC motor with pull chain switch
- 2-Speed, 1-Phase
- 120V
- Totally enclosed
- Ball bearing
- Permanently lubricated

### Performance Data

Catalog Number	Prop. Dia	HP	RPM	CFM (High/Low)	AMPS	Sound db	Velocity Profile
24CAC-ACH	24"	1/4	1100/800	6800/5000	2.5	67	A
30CAC-ACH	30"	1/4	1100/800	7900/6000	2.7	66	B

### Dimension Data

Catalog Number	Prop. Dia	Height	Width	Depth	Ship Wt.(lbs)
24CAC-ACH	24"	27"	27"	14-1/2"	40
30CAC-ACH	30"	33-1/2"	33-1/2"	14-1/2"	44



\*Fan only. Please see page 9 for mounting options.



## Oscillating Air Circulators\*

### Features

- Fully assembled oscillating circulating fan heads
- Oscillates in a 90° arc or can be locked in a fixed position
- Metal gears in the oscillating unit allows the fan to operate at a maximum of 30° downward tilt
- Grill: Double locking, chrome plated steel wire guards
- Blade: Steel hub/spider and aluminum paddles
- Cord: SJT Type, 3-conductor 12' long
- Meets federal OSHA requirements
- ETL C/US Listed

### Motor Specifications

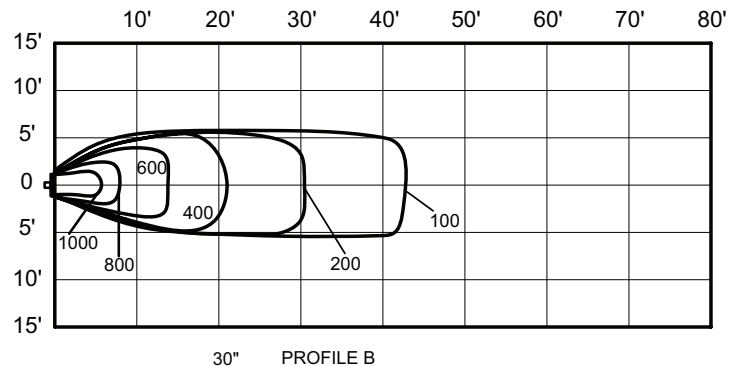
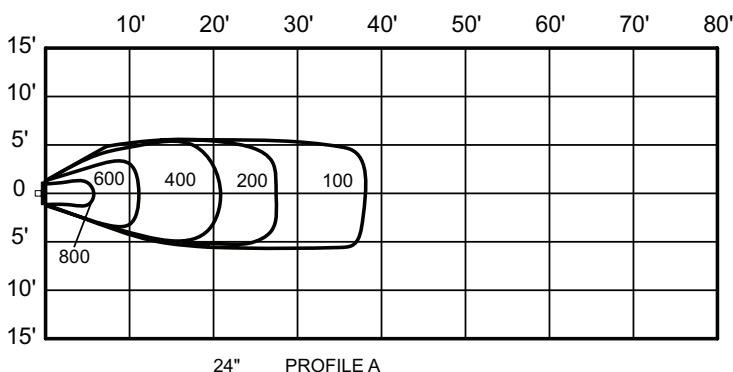
- PSC motor with pull chain switch
- 2-Speed, 1-Phase, 120V
- Totally enclosed
- Ball bearing,
- Permanently lubricated

### Performance Data

Catalog Number	Prop. Dia	HP	RPM	CFM (High/Low)	AMPS	Sound db	Velocity Profile
24CAC-ACHO	24"	1/4	1100/800	6800/5000	2.5	67	A
30CAC-ACHO	30"	1/4	1100/800	7900/6000	2.7	66	B

### Dimension Data

Catalog Number	Prop. Dia	Height	Width	Depth	Ship Wt.(lbs)
24CAC-ACHO	24"	27"	27"	14-1/2"	44
30CAC-ACHO	30"	33-1/2"	33-1/2"	14-1/2"	48



\*Fan only. Please see page 9 for mounting options.



## Washdown Air Circulators\*



### Features

- Fully assembled non-oscillating circulating fan heads
- Grill: Heavy Zinc coated steel guards
- Blade: Steel hub/spider and aluminum paddles
- No cord-junction box provided for hard wiring
- Meets federal OSHA requirements
- ETL C/US Listed

### Motor Specifications

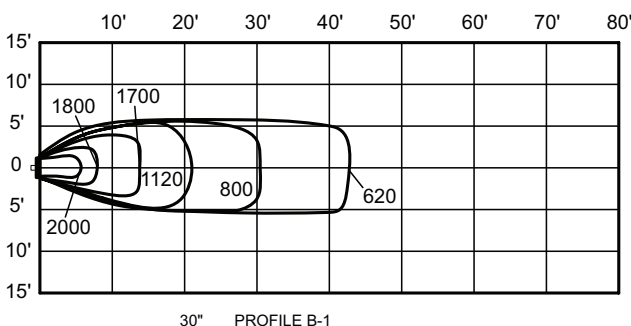
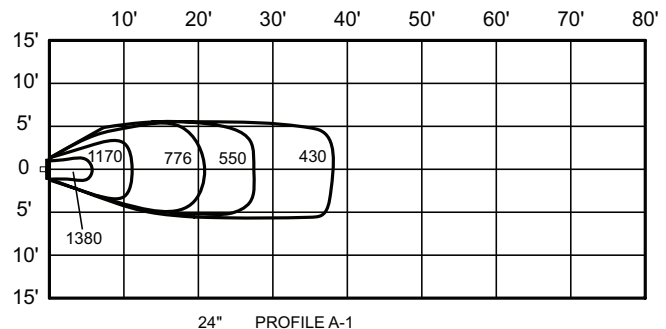
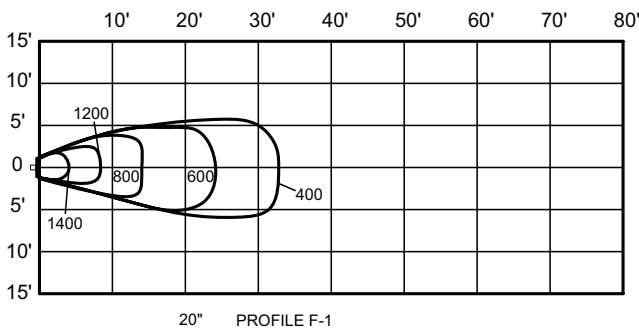
- Motor: 1-Speed, 1-Phase
- 120V or 240V
- Totally enclosed
- Ball bearing
- Permanently lubricated
- Wash down rated

### Performance Data

Catalog Number	Prop. Dia	HP	RPM	Volts	Amps (120v/240v)	CFM	Sound db	Velocity Profile
20CAC-IHPWD	20"	1/3	1725	120v or 240v	4.5/2.2	7150	75	F-1
24CAC-IHPWD	24"	1/3	1725	120v or 240v	4.5/2.2	8200	77	A-1
30CAC-IHPWD	30"	1/3	1725	120v or 240v	4.5/2.2	9350	76	B-1

### Dimension Data

Catalog Number	Prop. Dia	Height	Width	Depth	Ship Wt.(lbs)
20CAC-IHPWD	20"	22"	22"	14"	46
24CAC-IHPWD	24"	27"	27"	14"	48
30CAC-IHPWD	30"	33-1/2"	33-1/2"	14"	52



\*Fan only. Please see page 9 for mounting options.

## Mounts For Air Circulators

### Features

- Pedestal pole adjusts the center of fan from 52" to 78" and bolts to 27" Diameter steel dome base with 5 carriage bolts
- I-beam mount and ceiling mount require 1 1/2" or longer pipe nipple for assembly (not supplied)
- Pole mount attaches to 4", 6" or 8" with U-bolts (not supplied)
- Oscillating motors can only be used with any mount when motor can be mounted in the upright position



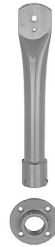
Pedestal Mount



Wall Mount



I-Beam Mount



Ceiling Mount

### Product Specifications

Catalog Number	Description	Height	Width	Depth	Ship Wt.(lbs)
CAC- Pedestal Mount	Pedestal Mount	60"	26-1/2"	26-1/2"	34
CAC- Wall Mount	Wall Mount	5-1/2"	4"	13-1/4"	3
CAC I-Beam Mount	I-Beam Mount	21-1/2"	1-7/8"	28-1/2"	9
CAC Ceiling Mount	Ceiling Mount	13"	4-11/16"	4-11/16"	3



Mini-Blower Mount

## Optional Mount For Mini-Blowers

### Features

- Allows the 24" and 30" Mini-Blower to mounted to the wall.

### Product Specifications

Catalog Number	Description	Height	Width	Depth	Ship Wt.(lbs)
CAC MB Wall Mount	Mini-Blower Wall Mount	10"	2-1/2"	14-1/8"	4





## Direct Drive Portable Blowers



### Features

- Rocker switch
- SJT type 3 conductor, 12' long cord
- Aluminum, 3 paddle blade
- Spiral, wire front and rear guards
- Corrosion and dent proof high density polyethylene housing
- 8" Wheels
- Meets federal OSHA requirements
- ETL C/US Listed

### Motor Specifications

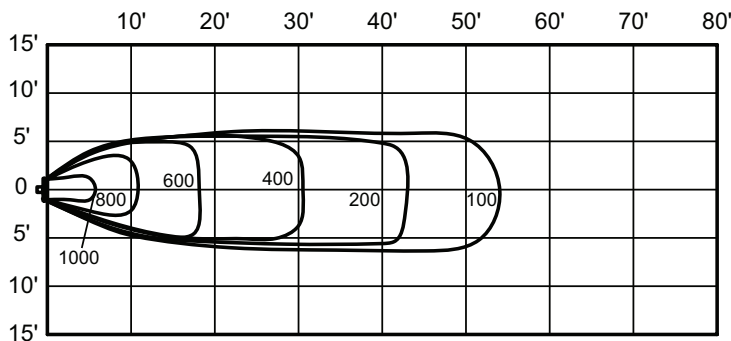
- 120V, 1-Phase
- Ball bearing
- Permanent split capacitor
- Permanently lubricated
- 2-speed on 36", 1-speed on 42"

### Performance Data

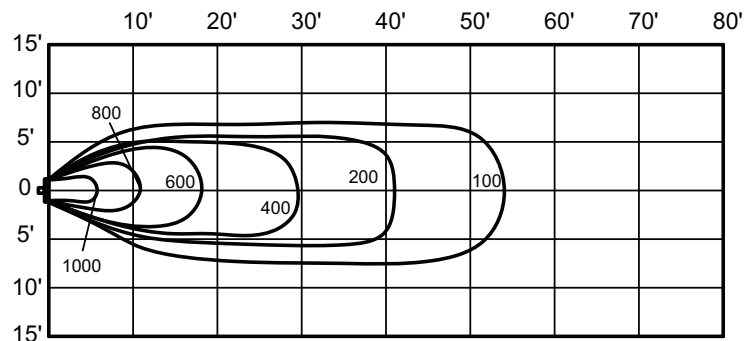
Catalog Number	Size	Motor HP	CFM	RPM	Amps	Sound db	Velocity Profile
36CAC-PBD	36"	1/3	12500/9000	1040/730	5.5	79	D
42CAC-PBD	42"	1/2	15600	1040	6.0	77	K

### Dimension Data

Catalog Number	Prop. Dia	Height	Width	Depth	Ship Wt. (lbs)
36CAC-PBD	36"	37-3/4"	36-5/16"	18-1/2"	82
42CAC-PBD	42"	43-3/4"	42-5/16"	18-1/2"	102



36" PROFILE D



42" PROFILE K



## Belt Drive Portable Blowers

### Features

- Rocker switch
- SJT type 3 conductor, 12' long cord
- Aluminum, 4 paddle blade
- Spiral, wire front and rear guards
- Corrosion and dent proof high density polyethylene housing
- 10" Wheels
- Meets federal OSHA requirements
- ETL C/US Listed

### Motor Specifications

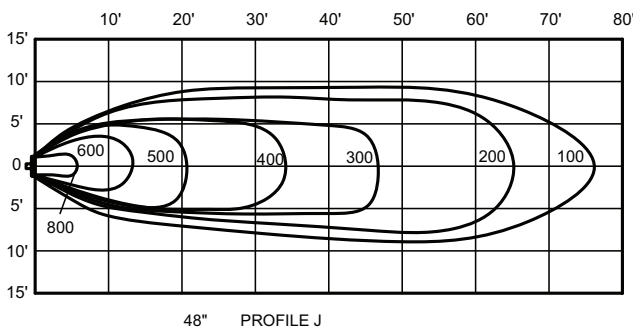
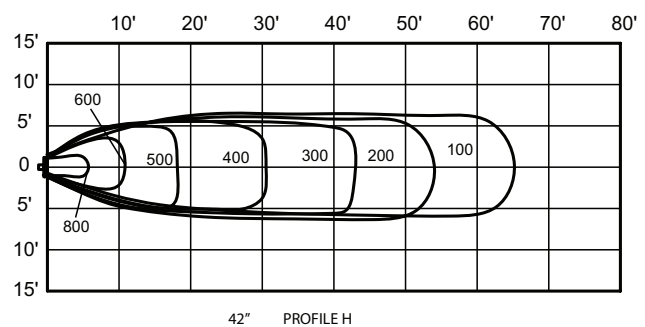
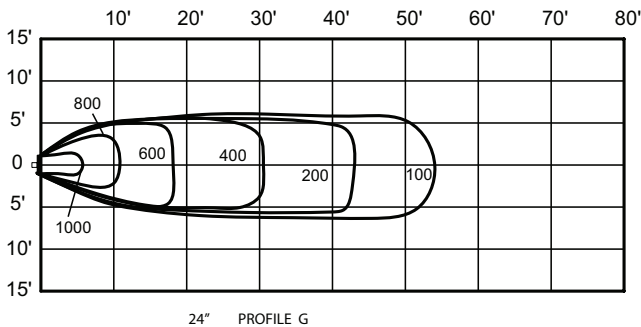
- 120V, 1-Phase
- Ball bearing
- Permanently lubricated

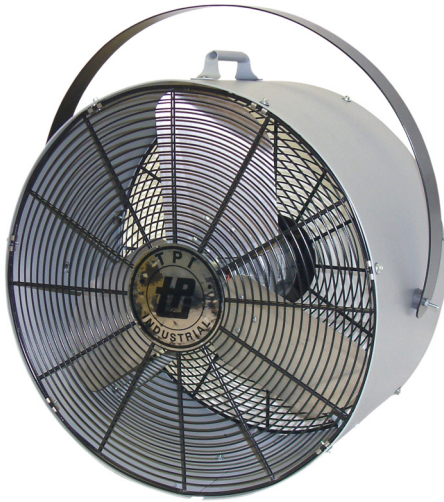
### Performance Data

Catalog Number	Size	Motor HP	CFM	RPM	Amps	Sound db	Velocity Profile
36CAC-PBB	36"	1/2	14500	500	8.0	69	G
42CAC-PBB	42"	3/4	18200	430	11.0	70	H
48CAC-PBB	48"	1	22700	390	15.0	69	J

### Dimension Data

Catalog Number	Prop. Dia	Height	Width	Depth	Ship Wt.(lbs)
36CAC-PBB	36"	37-3/4"	36-5/16"	22-1/4"	120
42CAC-PBB	42"	43-3/4"	42-5/16"	24-1/4"	135
48CAC-PBB	48"	49-3/4"	48-5/16"	24-1/4"	155





## Direct Drive Mini-Blower\*

### Features

- Pull switch
- SJT type 3 conductor, 10' long cord
- Aluminum blade
- Spiral, wire front and rear guards
- Corrosion and dent proof high density polyethylene housing
- Meets federal OSHA requirements
- ETL C/US Listed

### Motor Specifications

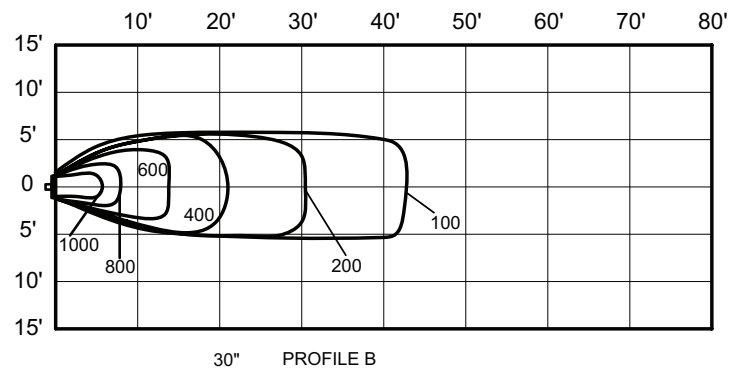
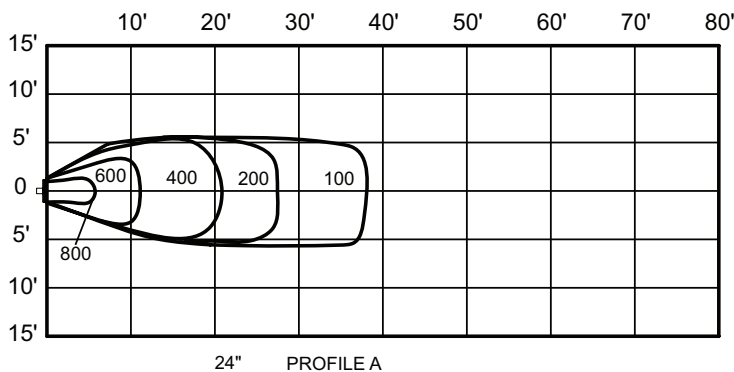
- 120V, 1-Phase
- 2-Speed
- Totally enclose
- Ball bearing
- Permanently lubricated
- Permanent split capacitor

### Performance Data

Catalog Number	Size	Motor HP	CFM	RPM	Amps	Sound db	Velocity Profile
24CAC-MBDY	24"	1/4	6800/5000	1140/1070	2.2	72	A
30CAC-MBDY	30"	1/4	7800/6000	1040/730	2.5	77	B

### Dimension Data

Catalog Number	Prop. Dia	Height	Width	Depth	Ship Wt.(lbs)
24CAC-MBDY	24"	29"	28-1/2"	14-1/4"	52
30CAC-MBDY	30"	38"	37-1/2"	14-1/2"	58



\*Fan only. Please see page 9 for mounting options.



## Direct Drive Suspension Blower

### Features

- Rocker switch
- SJT type 3 conductor, 12' long cord
- Aluminum blade
- Powder Coated Spiral, wire front and rear guards
- Corrosion and dent proof high density polyethylene housing
- Meets federal OSHA requirements
- ETL C/US Listed

### Motor Specifications

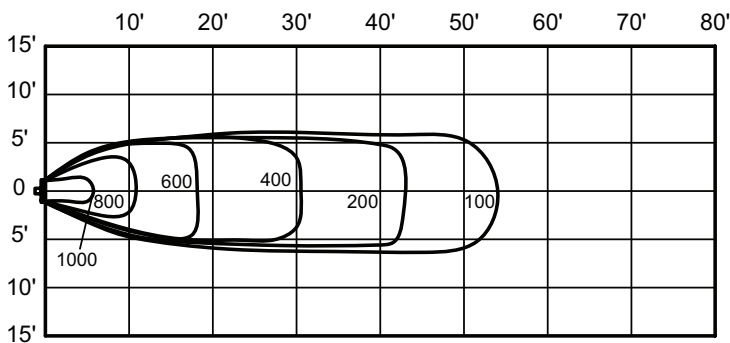
- 120V, 1-Phase
- 36" 2-Speed
- 42" 1-Speed
- Ball bearing
- Permanently lubricated
- Permanent split capacitor

### Performance Data

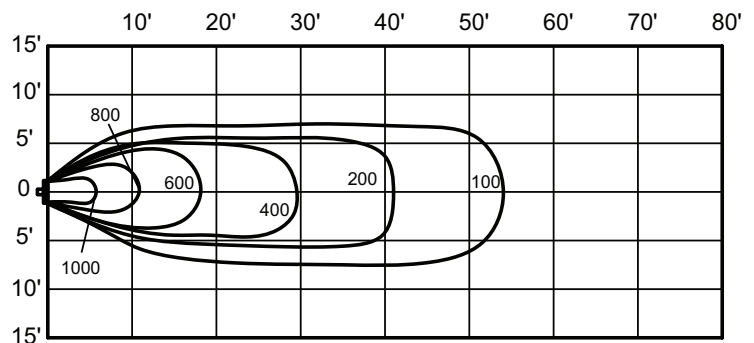
Catalog Number	Size	Motor HP	CFM	RPM	Amps	Sound db	Velocity Profile
36CAC-SBD	36"	1/3	12500/9000	1050	5.6	79	D
42CAC-SBD	42"	1/2	16200	825	7.9	77	K

### Dimension Data

Catalog Number	Prop. Dia	Height	Width	Depth	Ship Wt.(lbs)
36CAC-SBD	36"	36-5/16"	33"	13-5/8"	70
42CAC-SBD	42"	42-5/16"	38-1/2"	13-5/8"	99



36" PROFILE D



42" PROFILE K



## Mounted Workstation

### Features

- Pull chain switch
- Head rotates 360° vertical and horizontal
- SJT type 3 conductor, 10' long cord
- Aluminum blade
- Powder Coated Spiral, wire front and rear guards
- Corrosion and dent proof high density polyethylene housing
- Meets federal OSHA requirements
- ETL C/US Listed

### Motor Specifications

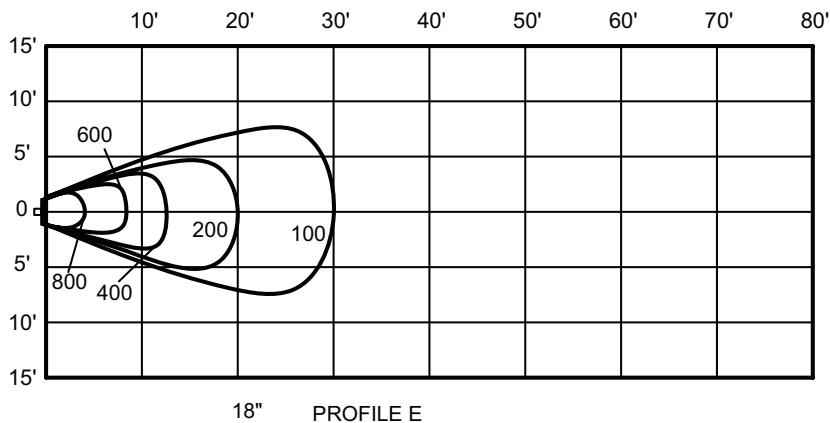
- 120V, 1-Phase
- 3-Speed
- Totally enclosed
- Sleeve bearing
- Permanently lubricated
- Permanent split capacitor

### Performance Data

Catalog Number	Size	Motor HP	CFM			RPM			Amps	Sound db	Velocity Profile
			4600	4200	3200	1660	1484	1200			
18CAC-UTE	18"	1/8	4600	4200	3200	1660	1484	1200	2.2	65	E

### Dimension Data

Catalog Number	Size	Height	Width	Depth	Ship Wt.(lbs)
18CAC-UTE	18"	21-1/2"	20-1/2"	10-1/2"	20





## **LOREN COOK COMPANY**

2015 E. DALE STREET  
SPRINGFIELD, MO 65803-4637

417.869.6474

FAX 417.862.3820

[lorencook.com](http://lorencook.com)