



Belt Drive Centrifugal Upblast Exhaust Fan with 18.75" wheel

Exhaust Motor:

Model CK56HB02D01-60HZ, 1.000 HP, 1 Phs, 115 V, 60Hz, 8.1 FLA, ODP (Open Drip Proof)

Exhaust Motor Pulleys:

<u>Part Type</u>	<u>Qty.</u>	<u>Browning #</u>	<u>Turns Out</u>
Belt	1	AX27	
Blower Pulley	1	AK66 x 1	
Motor Pulley	1	1VL40 x 5/8	1.0

Exhaust Performance:

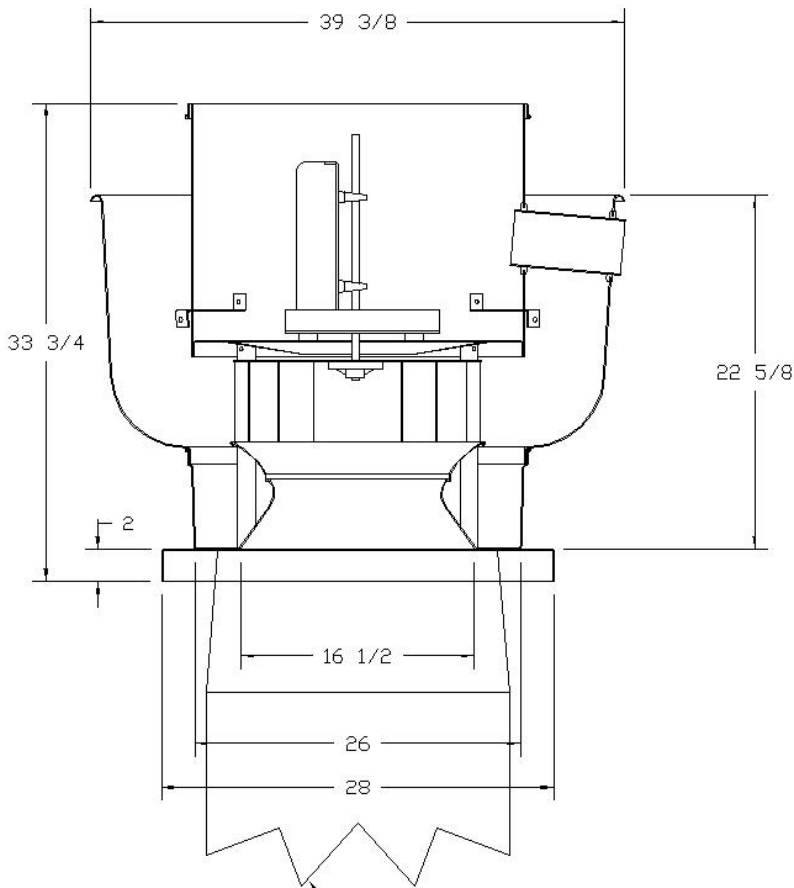
Volume: 3000 cfm
 RPM: 941
 TS: 4619 ft/min
 SP: 0.500" w.g.
 BHP: 0.61
 Discharge Velocity: 693 FPM
 Altitude: 893'
 Ambient Temp: 70°F

Exhaust Installation Information:

Unit Main Input: 10.2 Amps MCA, 15 Amps MOP, 115 V, 14 AWG Wire Min.
 Exhaust Unit Voltage: 1 phs 115 V 60Hz

Construction Features

Housing constructed of heavy gauge aluminum • Centrifugal backward inclined, non-overloading wheel built out of 3003-H14 aluminum • Weatherproof safety disconnect switch • Grease spout welded to housing • Vibration isolators • Adjustable pitch drive assemblies • Adjustable motor mount • Ball bearing motors • Forces fresh air through motor to ensure long motor life • Corrosion resistant fasteners • High heat operation (300 °F) • Rated for restaurant and general ventilation applications • Grease classification tested • UL705 and UL762 •



FEATURES:

- ROOF MOUNTED FANS
- RESTAURANT MODEL
- UL705 AND UL762 AND ULC-S645
- AMCA SOUND AND AIR CERTIFIED
- WIRING FROM MOTOR TO DISCONNECT SWITCH
- WEATHERPROOF DISCONNECT
- HIGH HEAT OPERATION 300°F (149°C)
- GREASE CLASSIFICATION TESTING

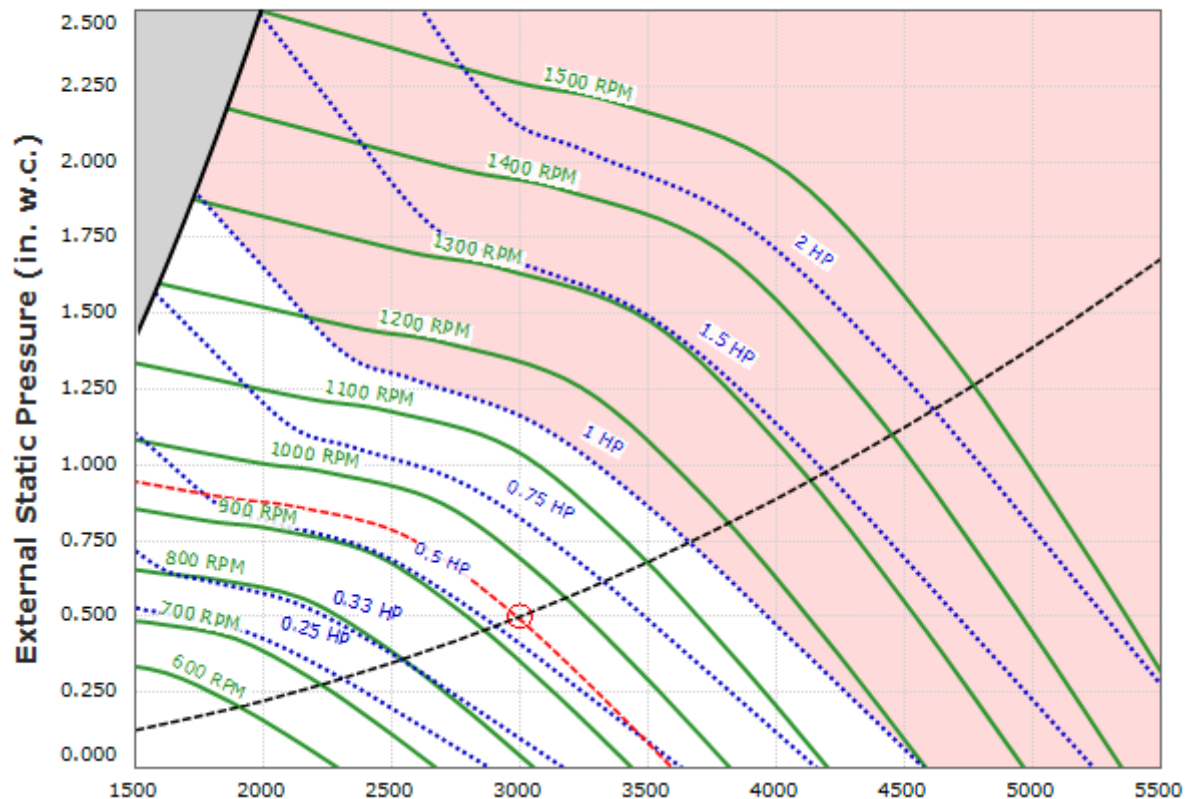
NORMAL TEMPERATURE TEST
 EXHAUST FAN MUST OPERATE CONTINUOUSLY WHILE EXHAUSTING AIR AT 300°F (149°C) UNTIL ALL FAN PARTS HAVE REACHED THERMAL EQUILIBRIUM, AND WITHOUT ANY DETERIORATING EFFECTS TO THE FAN WHICH WOULD CAUSE UNSAFE OPERATION.

ABNORMAL FLARE-UP TEST
 EXHAUST FAN MUST OPERATE CONTINUOUSLY WHILE EXHAUSTING BURNING GREASE VAPORS AT 600°F (316°C) FOR A PERIOD OF 15 MINUTES WITHOUT THE FAN BECOMING DAMAGED TO ANY EXTENT THAT COULD CAUSE AN UNSAFE CONDITION.

DUCTWORK BETWEEN EXHAUST RISER ON HOOD AND FAN (BY OTHERS)

3000 CFM, 0.5 SP @ 941 RPM and 0.61 BHP at 893 feet and 70° F

* Note: Curves are adjusted to job specific temperature and altitude.
 Yellow shaded region is above the max recommended RPM.
 Red shaded region is outside the operating range of this fan.



exhaust sound data @ 941 RPM:

LWA at 5 ft.: 74.3 Sones at 5 ft.: 12.8 DBA at 5 ft.: 62.8

Distance	Octave 1	Octave 2	Octave 3	Octave 4	Octave 5	Octave 6	Octave 7	Octave 8
5 ft.	75.2	84.4	76.4	69	66.2	63.5	56.2	49.2